

GSM8000

GSM CONTROLLER



MAIN FEATURES

- Control/Monitor/Alarm via GSM mobile phone
- 8-channel of 4-20mA inputs
- 8 relay outputs
- 8 switch inputs
- Use Short Message commands from mobile to enable or disable analog input alarm, switch input alarm and set relay output on/off
- Two defaulted phone numbers available
- Dual or three band GSM mobile modem built in



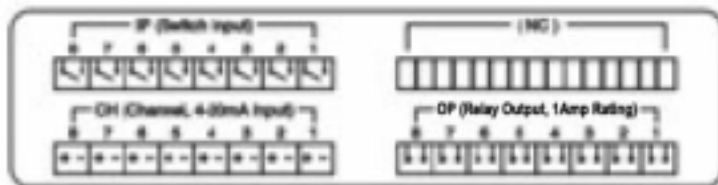
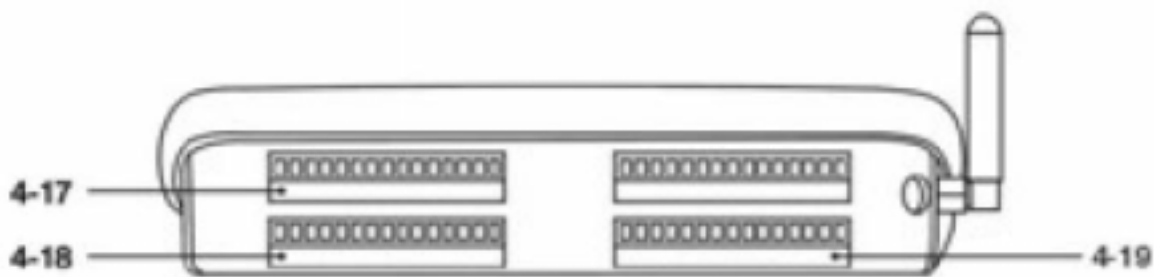
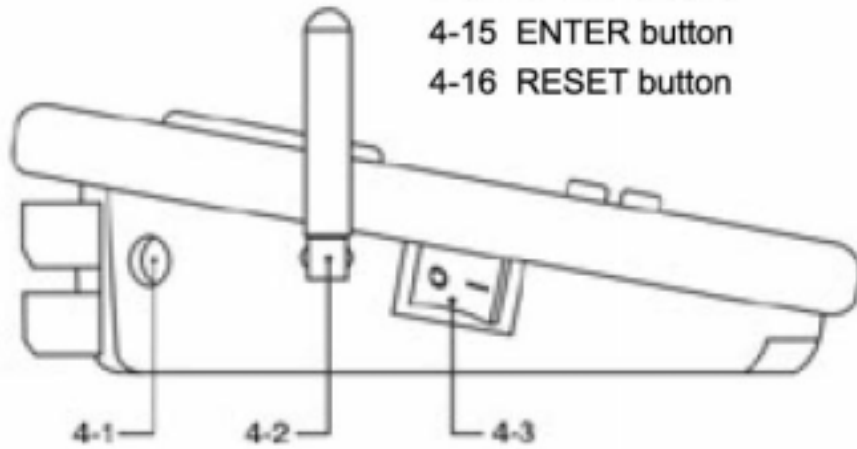
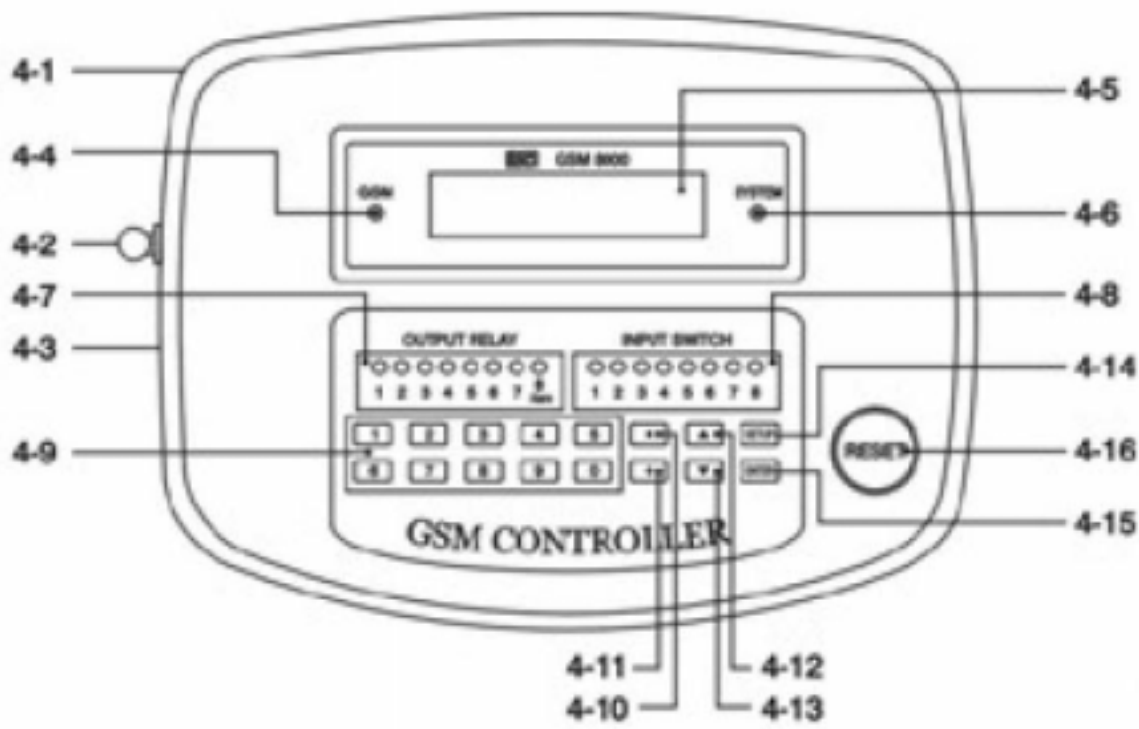
FEATURES

- Control/Monitor/Alarm via GSM mobile phone, no distance limitation. User can control/monitor/alarm their devices all over the world.
- 8 channels Analog input (4 -20 mA)
- 8 Relay outputs
- 8 Switch inputs, normal open, close alarm
- 8 Analog inputs: system can preset 4 mA and 20 mA input value according the real measuring value and setting display unit. It can read actual measuring data via the SMS (Short Message) requested, such as CH1= 28.0 C. CH2=53.7 %RH, CH3=7.01 pH..... CH8= 230.5 ACV.
- Enable or disable Analog input alarm (High alarm, Low alarm) via SMS.
- Enable or disable switch Input alarm (close alarm) via SMS.
- Set relay output On/Off via SMS
- Dot matrix LCD display show Analog input value, Switch input and Relay output status.
- All setting value will be saved into EPROM IC, no loss.
- Mobile telephone can call out all channel measuring value, status of Switch input and Relay output at any time.
- Can default two telephone no., alarm SMS can be sent to two users.
- Build GSM mobile modem (dual or three bands).
- After the SMS command sent by mobile phone, the confirm message will be sent back to the mobile, safe and no loss.
- Intelligent application , innovation, wide range, no limitation

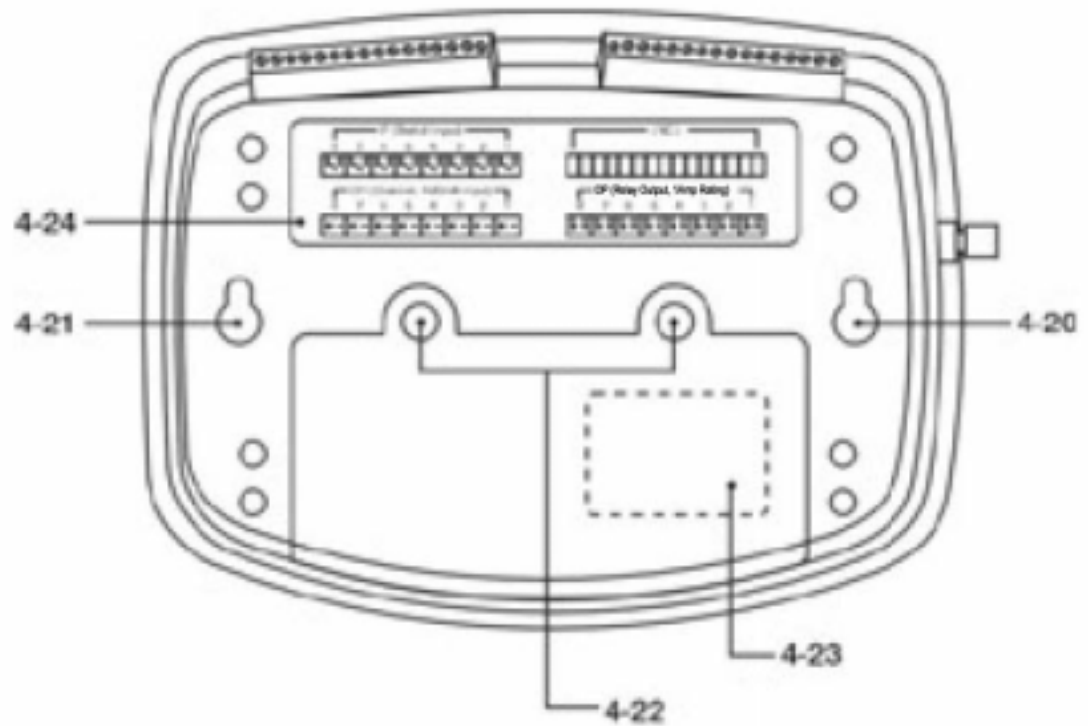
APPLICATIONS

- Industrial remote monitor / control / alarm system
- Industrial security system
- Home security system
- Building supervision
- Industrial system
- Pumping station
- Power station
- Agriculture usage
- Animal husbandry
- Water supply system
- Traffic system
- Railway systems/Vehicle
- Energy system
- Water clarification
- Heating power plant

FRONT PANEL & LAYOUT DESCRIPTION



- 4-20 Fix hole for wall installation
- 4-21 Fix hole for wall installation
- 4-22 Screws for the SIM card cover
- 4-23 SIM card holder
- 4-24 Terminal instruction label



SPECIFICATIONS

Ordering code: GSM8000-

Band _____

2: 900/1800 MHz dual bands

3: 900/1800/1900 MHz three bands

DISPLAY	Dot-matrix LCD with back light 16 characters x 2 lines		
GSM Modem	900/1800 MHz dual bands, 900/1800/1900 three bands		
Switch inputs	Number	8 inputs	
	Reaction time	200 mS, min.	
	Status	Default open, Closed for alarm	
Analog input 4 to 20 mA	Number	8 channels	
	Input impedance	125 ohm	
	Resolution	12 bits A/D converter	
	Setting by front buttons	4 mA, 20 mA setting Unit setting High/Low alarm value setting	
	Relay outputs	Number	8 relays
		Function	Relay 1 to Relay 7 can control by mobile via SMS. Relay 8 is the alarm relay used to connect to field alarm system
Max load		1 ACA/250 ACV 1 DCA/24 DCV	
Standard	CE conformity		
Operating Temperature	0 to 50°C (32 to 122°F)		
Operating Humidity	Less than 80% RH		
Power supply	DC 9V		
Power consumption	Less than 400 mA DC, 3.6 Watt		
Size	193 x 149 x 46 mm. (7.6 x 4.9 x 1.8 inch).		
Weight	592 g (1.3 LB).		
Accessories included	Operation manual..... 1 PC AC (100 -240 V)/DC (9V, 1 Amp) power adapter..... 1 PC Antenna 1 PC		



BRAINCHILD Electronic Co., Ltd.

6F., No. 209, Chung Yang Rd., Nan Kang Dist., Taipei, Taiwan, R.O.C.

Tel: 886-2-27861299 Fax: 886-2-27861395

E-mail:sales@brainchild.com.tw

web site:http://www.brainchild.com.tw